

CFL SQUARE 16 W/827 GR8

OSRAM CFL SQUARE 2 pins | Square CFLni with 2-pin base for CCG operation



Product benefits

- Square shape provides uniform distribution of light
- No shadows at either end and no dark patches
- Extremely low profile
- Very economical
- Good quality of light
- Long service life

Product features

- Single-ended two-pin plug-in GR8 base
- Short and compact pin-base lamp with double-turn tubes
- Average life: 10,000 h
- Color rendering index R_a : 80...89



Technical data

Electrical data

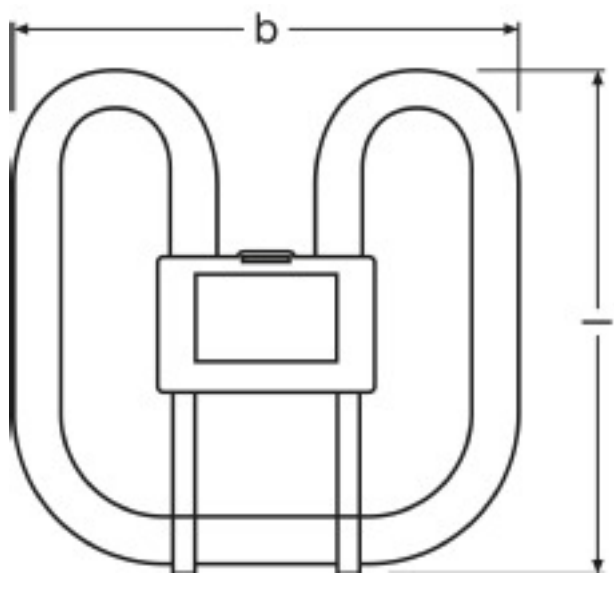
Nominal wattage	16 W
Rated lamp efficacy (standard condition)	66 lm/W
Rated wattage	16 W

Light technical data

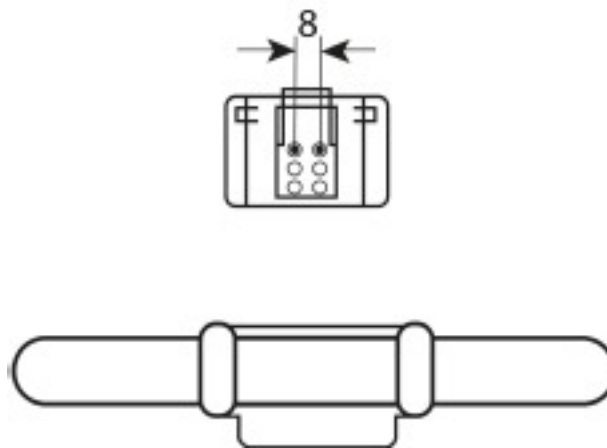
Color rendering index Ra	80...89
Rated luminous flux	1050 lm
Luminous flux at 25 °C	1050 lm
Light color	827
Color temperature	2700 K
Nominal luminous flux	1050 lm
Rated LLMF at 2,000 h	0.85
Rated LLMF at 4,000 h	0.78
Rated LLMF at 6,000 h	0.76
Rated LLMF at 8,000 h	0.75

Dimensions & weight

Length	138.0 mm
Length acc. to IEC standard	138 mm



Product line drawing with letters



Base



Base

Colors & materials

Lamp mercury content	5.0 mg
----------------------	--------

Lifespan

Service life	5000 h
Rated lamp survival factor at 2,000 h	0.99
Rated lamp survival factor at 4,000 h	0.94
Rated lamp survival factor at 6,000 h	0.84
Rated lamp survival factor at 8,000 h	0.69
Operation mode LLMF/LSF	50 Hz
Lifespan	10000 h

Additional product data

Base (standard designation)	GR8
Appropriate disposal acc. to WEEE	Yes

Capabilities

Suitable for indoor	Yes
---------------------	-----

Certificates & standards

EEI - Energy Label	B
--------------------	---

Safety advice

In case of lamp breakage: www.osram.com/brokenlamp

Logistical Data

Product code	Packaging unit (Pieces/Unit)	Dimensions (height x width x length)	Gross weight	Volume
4050300816852	Folding carton box 1	152 mm x 33 mm x 152 mm	118.00 g	0.76 dm ³
4050300816869	Shipping carton box 20	322 mm x 185 mm x 326 mm	2834.00 g	19.42 dm ³

Disclaimer

Subject to change without notice. Errors and omission excepted. Always make sure to use the most recent release.