

## DULUX F 36 W/840 2G10

---

OSRAM DULUX F | Flat CFLni, 2 tubes, with 4-pin base for ECG/CCG operation



- Offices, public buildings
- Shops
- Supermarkets and department stores
- Hotels, restaurants
- Industry

### Product benefits

---

- Very economical
- Good quality of light
- Excellent luminous efficiency
- Extremely low profile
- Long service life

### Product features

---

- Short and compact pin-base lamp with double-turn tubes
- Single-ended four-pin plug-in 2G10 base
- Average life: 10,000 h
- Color rendering index  $R_a$ : 80...89



## Technical data

---

### Electrical data

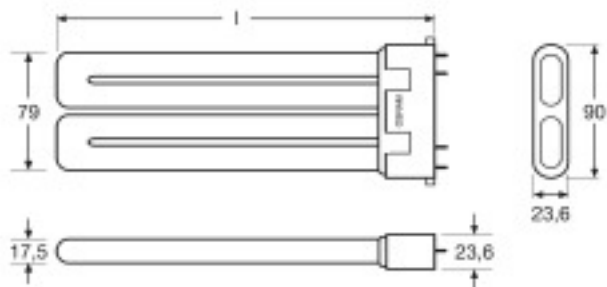
|  |   |
|--|---|
| Nominal wattage                          | 36 W  |
| Rated lamp efficacy (HF data)            | Under clarification by authority and standardization body |
| Rated lamp efficacy (standard condition) | 78 lm/W   |
| Rated wattage                            | 36 W  |

### Light technical data

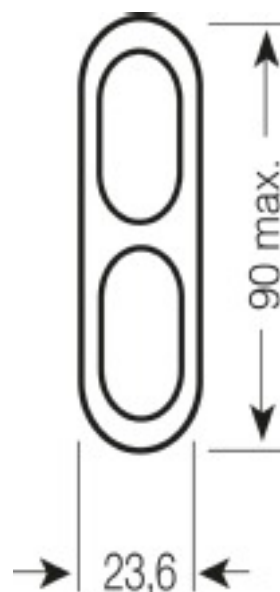
|                               |                      |
|-------------------------------|----------------------|
| Color rendering index Ra      | 80...89              |
| Rated luminous flux           | 2800 lm              |
| Luminous flux at 25 °C        | 2800 lm              |
| Light color                   | 840                  |
| Color temperature             | 4000 K               |
| Nominal luminous flux         | 2800 lm              |
| Light color as per EN 12464-1 | LUMILUX Cool White   |
| Rated LLMF at 2,000 h         | 0.90                 |
| Rated LLMF at 4,000 h         | 0.86                 |
| Rated LLMF at 6,000 h         | 0.83                 |
| Rated LLMF at 8,000 h         | 0.81                 |
| Luminance                     | 3 cd/cm <sup>2</sup> |

### Dimensions & weight

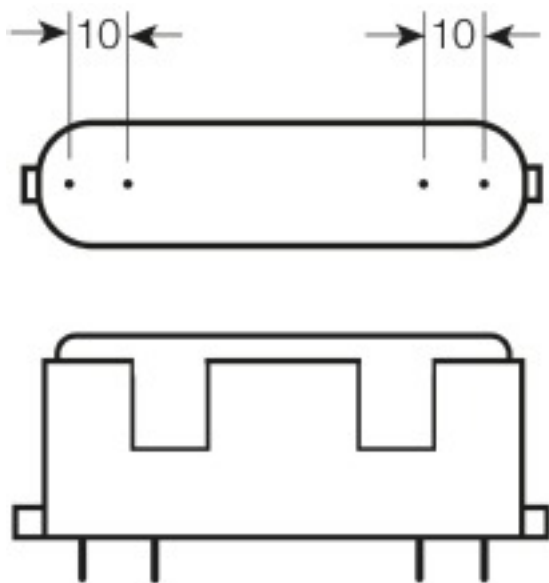
|                             |          |
|-----------------------------|----------|
| Tube diameter               | 17.5 mm  |
| Length                      | 217.0 mm |
| Length acc. to IEC standard | 217 mm   |



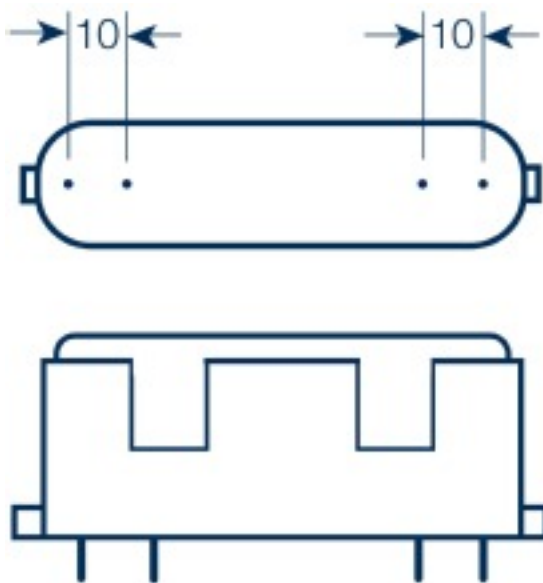
Product line drawing with numbers



Prod line drw, top, neutral dimensions



Base



Base

**Colors & materials**

|                      |        |
|----------------------|--------|
| Lamp mercury content | 1.8 mg |
|----------------------|--------|

**Temperatures**

|  |         |
|--|---------|
| Rated ambient temp.w.max.luminous flux | 25.0 °C |
|--|---------|

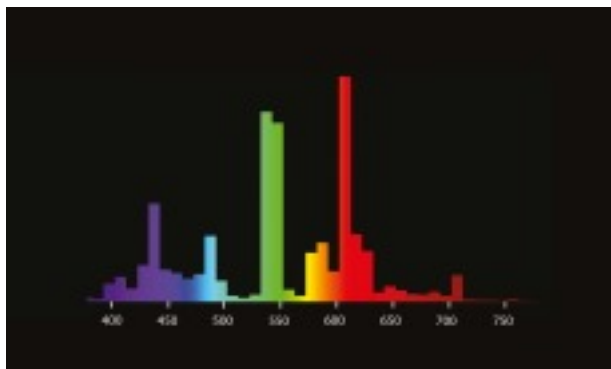
**Lifespan**

|                                       |                       |
|---------------------------------------|-----------------------|
| Service life                          | 5000 h <sup>1)</sup>  |
| Rated lamp survival factor at 2,000 h | 0.99                  |
| Rated lamp survival factor at 4,000 h | 0.99                  |
| Rated lamp survival factor at 6,000 h | 0.95                  |
| Rated lamp survival factor at 8,000 h | 0.81                  |
| Operation mode LLMF/LSF               | HF                    |
| Lifespan                              | 10000 h <sup>1)</sup> |

<sup>1)</sup> With preheat ECG

**Additional product data**

|                                   |      |
|-----------------------------------|------|
| Base (standard designation)       | 2G10 |
| Appropriate disposal acc. to WEEE | Yes  |



---

*Spectral power distribution*

### Capabilities

---

|                     |     |
|---------------------|-----|
| Suitable for indoor | Yes |
|---------------------|-----|

---

### Certificates & standards

---

|                    |   |
|--------------------|---|
| EEI – Energy Label | B |
|--------------------|---|

---

## Lamp-ECG combination (System)

---

### QT-M 2x26-42/220-240 S

---

#### Products

QT-M 2x26-42/220-240 S

### QTP-DL 1x36-40

---

#### Products

QTP-DL 1x36-40

### QTP-DL 2x36-40

---

#### Products

QTP-DL 2x36-40

### QTP-M 1x26-42

---

#### Products

QTP-M 1x26-42

### QTP-M 2x26-32

---

#### Products

QTP-M 2x26-32

### QTi 1x14/24/21/39 GII

---

#### Products

QTi 1x14/24/21/39 GII

### QTi 1x36 DIM

---

**Products**

QTi 1x36 DIM

**QTi 2x14/24/21/39 GII**

---

**Products**

QTi 2x14/24/21/39 GII

**QTi 2x36 DIM**

---

**Products**

QTi 2x36 DIM

**QTi DALI 1x36 DIM**

---

**Products**

QTi DALI 1x36 DIM

**QTi DALI 2x36 DIM**

---

**Products**

QTi DALI 2x36 DIM

**Equipment / Accessories**

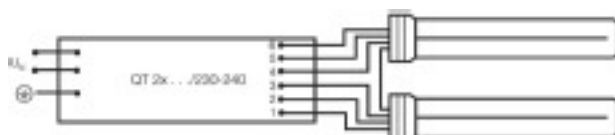
---

- Suitable for operation on electronic and conventional control gear

**Safety advice**

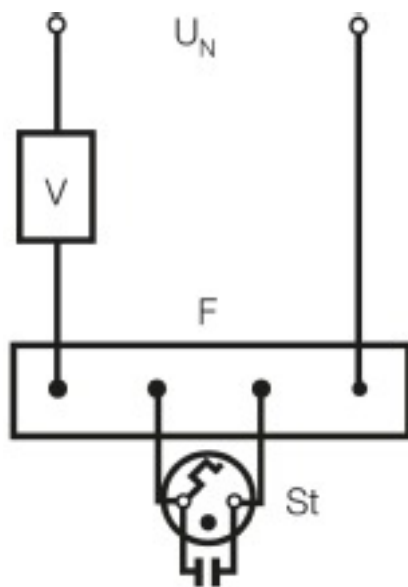
---

In case of lamp breakage: [www.osram.com/brokenlamp](http://www.osram.com/brokenlamp)



Circuit diagram

Circuit diagram



Circuit diagram



**Logistical Data**

---

| <b>Product code</b> | <b>Packaging unit<br/>(Pieces/Unit)</b> | <b>Dimensions (height x<br/>width x length)</b> | <b>Gross weight</b> | <b>Volume</b>        |
|---------------------|---|---|---------------------|----------------------|
| 4050300299037       | Folding carton box<br>1                 | 86 mm x 25 mm x 233<br>mm                       | 144.70 g            | 0.50 dm <sup>3</sup> |
| 4050300299044       | Shipping carton box<br>10               | 245 mm x 105 mm x<br>275 mm                     | 1631.00 g           | 7.07 dm <sup>3</sup> |

---

## References / Links

---

For more information on QUICKTRONIC electronic control gear go to

▶ [www.osram.com/QUICKTRONIC](http://www.osram.com/QUICKTRONIC)

## Disclaimer

---

Subject to change without notice. Errors and omission excepted. Always make sure to use the most recent release.