

L SPS 36 W/76

OSRAM NATURA SPLIT control T8 | Tubular fluorescent lamps 26 mm, with G13 bases



- Bakeries, meat processors, butchers
- Shops
- Supermarkets and department stores
- Especially suitable for the food sector (DIN 10504)

Product benefits

- Specially tailored spectral distribution
- Food looks fresh and appetizing without unduly “beautifying” it
- Support the implementation of the HACCP concepts from production through to presentation
- Food is ideally protected even if open fixtures are used
- Meet the requirements of the International Food Standard



Technical data

Electrical data

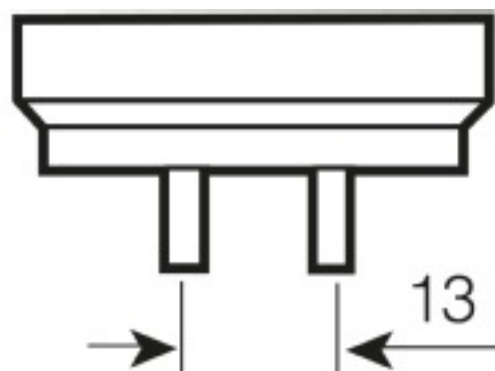
Nominal wattage	36 W
Rated lamp efficacy (HF data)	Under clarification by authority and standardization body
Rated wattage	36 W

Light technical data

Luminous flux at 25 °C	1740 lm
Light color	76
Light color as per EN 12464-1	-
Color coordinates chromaticity diagram	0.379/0.314

Dimensions & weight

Tube diameter	26 mm
Length	1200.0 mm
Length with base excl. base pins/connection	1200.00 mm
Diameter	26.0 mm



G13
IEC 7004-51
DIN 49653 T1

Product line drawing with letters

Base

Colors & materials

Lamp mercury content	3.0 mg
----------------------	--------

Lifespan

Service life	10000 h ¹⁾
Lifespan	13000 h ¹⁾

¹⁾ With preheat ECG

Additional product data

Base (standard designation)	G13
Appropriate disposal acc. to WEEE	Yes

Certificates & standards

EEI - Energy Label	-
--------------------	---

Lamp-ECG combination (System)

HF 1x36/230-240 DIM

Products

HF 1x36/230-240 DIM

HF 2x36/230-240 DIM

Products

HF 2x36/230-240 DIM

QT-FIT8 1x36

Products

QT-FIT8 1x36

QT-FIT8 2x36

Products

QT-FIT8 2x36

QT-FIT8 3x36

Products

QT-FIT8 3x36

QT-M 2x26-42/220-240 S

Products

QT-M 2x26-42/220-240 S

QTP-DL 1x36-40

Products

QTP-DL 1x36-40

QTP-DL 2x36-40

Products

QTP-DL 2x36-40

QTP-M 1x26-42

Products

QTP-M 1x26-42

QTP5 1x24-39

Products

QTP5 1x24-39

QTP5 2x24-39

Products

QTP5 2x24-39

QTP8 1x36

Products

QTP8 1x36/230-240

QTP8 2x36

Products

QTP8 2x36/230-240

QTi 1x14/24/21/39 GII

Products

QTi 1x14/24/21/39 GII

QTi 1x36 DIM

Products

QTi 1x36 DIM

QTi 2x14/24/21/39 GII

Products

QTi 2x14/24/21/39 GII

QTi 2x36 DIM

Products

QTi 2x36 DIM

QTi DALI 1x36 DIM

Products

QTi DALI 1x36 DIM

QTi DALI 2x36 DIM

Products

QTi DALI 2x36 DIM

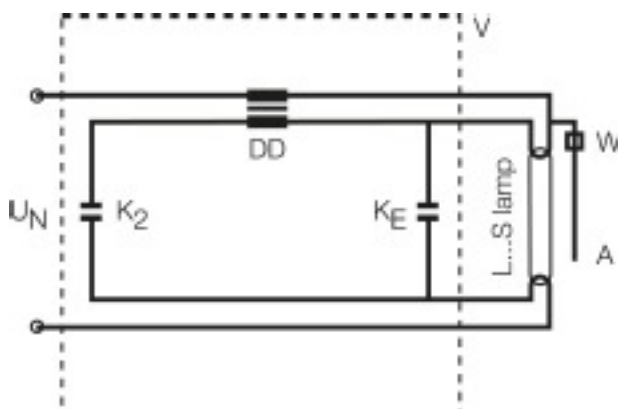
Safety advice

Lamps with plastic sleeves, ambient temperature range: -10...+80 °C

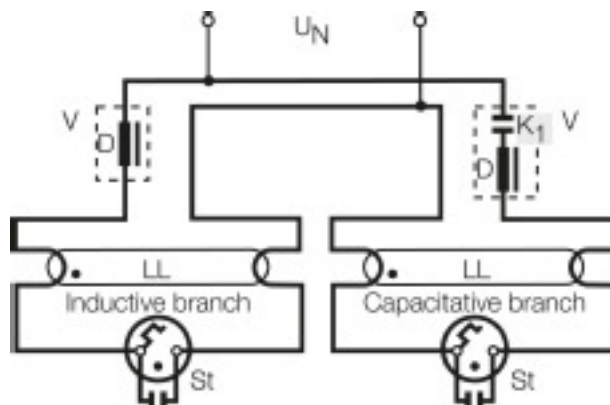
Lamps with plastic sleeves, maximum shelf life: 5 years at 0...30 °C

Lamps with plastic sleeves must be replaced after average life time (B50) has been reached

In case of lamp breakage: www.osram.com/brokenlamp



Circuit diagram



Circuit diagram

Logistical Data

Product code	Packaging unit (Pieces/Unit)	Dimensions (height x width x length)	Gross weight	Volume
4008321232809	Unpacked 1	36 mm x 29 mm x 1200 mm	224.00 g	1.25 dm ³
4008321232816	Shipping carton box 12	202 mm x 87 mm x 1266 mm	3062.00 g	22.25 dm ³

References / Links

For more information on QUICKTRONIC electronic control gear go to

▶ www.osram.com/QUICKTRONIC

Disclaimer

Subject to change without notice. Errors and omission excepted. Always make sure to use the most recent release.