

## L SPS 58 W/76

---

OSRAM NATURA SPLIT control T8 | Tubular fluorescent lamps 26 mm, with G13 bases



- Bakeries, meat processors, butchers
- Shops
- Supermarkets and department stores
- Especially suitable for the food sector (DIN 10504)

### Product benefits

---

- Specially tailored spectral distribution
- Food looks fresh and appetizing without unduly “beautifying” it
- Support the implementation of the HACCP concepts from production through to presentation
- Food is ideally protected even if open fixtures are used
- Meet the requirements of the International Food Standard



## Technical data

---

### Electrical data

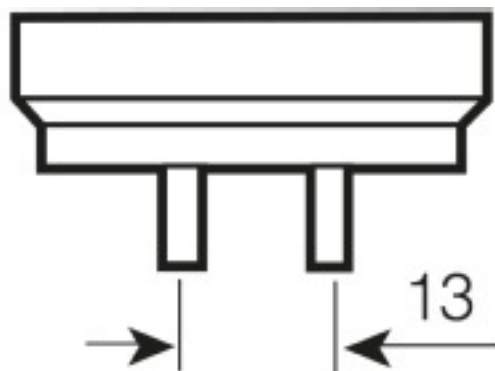
Nominal wattage	58 W
Rated lamp efficacy (HF data)	Under clarification by authority and standardization body
Rated wattage	58 W

### Light technical data

Luminous flux at 25 °C	2760 lm
Light color	76
Light color as per EN 12464-1	-
Color coordinates chromaticity diagram	0.379/0.314

### Dimensions & weight

Tube diameter	26 mm
Length	1500.0 mm
Length with base excl. base pins/connection	1500.00 mm
Diameter	26.0 mm



G13  
IEC 7004-51  
DIN 49653 T1

Product line drawing with letters

Base

### Colors & materials

Lamp mercury content	3.0 mg
----------------------	--------

### Lifespan

Service life	10000 h <sup>1)</sup>
Lifespan	13000 h <sup>1)</sup>

<sup>1)</sup> With preheat ECG

### Additional product data

Base (standard designation)	G13
Appropriate disposal acc. to WEEE	Yes

### Certificates & standards

EEI - Energy Label	-
--------------------	---

## Lamp-ECG combination (System)

---

### HF 1x58/230-240 DIM

---

#### Products

HF 1x58/230-240 DIM

### HF 2x58/230-240 DIM

---

#### Products

HF 2x58/230-240 DIM

### QT-FIT8 1x58-70

---

#### Products

QT-FIT8 1x58-70

### QT-FIT8 2x58-70

---

#### Products

QT-FIT8 2x58-70

### QTP5 1x54

---

#### Products

QTP5 1x54

### QTP5 2x54

---

#### Products

QTP5 2x54

### QTP8 1x58

---

**Products**

QTP8 1x58/230-240

---

**QTP8 2x58**

**Products**

QTP8 2x58/230-240

---

**QTi 1x28/54/35/49 GII**

**Products**

QTi 1x28/54/35/49 GII

---

**QTi 1x58 DIM**

**Products**

QTi 1x58 DIM

---

**QTi 2x28/54/35/49 GII**

**Products**

QTi 2x28/54/35/49 GII

---

**QTi 2x58 DIM**

**Products**

QTi 2x58 DIM

---

**QTi DALI 1x58 DIM**

**Products**

QTi DALI 1x58 DIM

---

**QTi DALI 2x58 DIM**

---

**Products**

QTi DALI 2x58 DIM

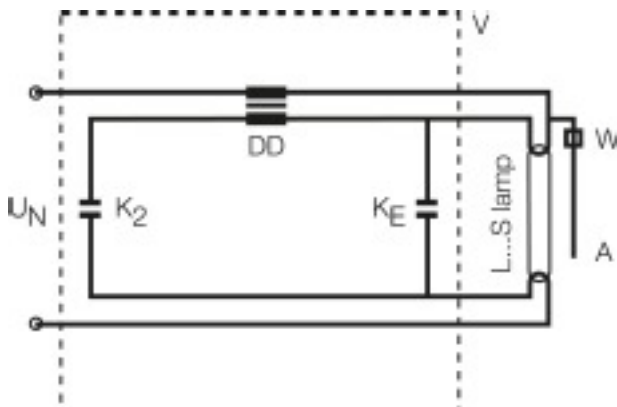
**Safety advice**

Lamps with plastic sleeves, ambient temperature range: -10...+80 °C

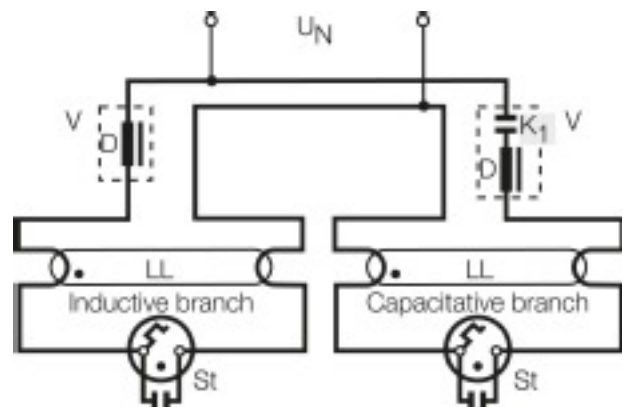
Lamps with plastic sleeves, maximum shelf life: 5 years at 0...30 °C

Lamps with plastic sleeves must be replaced after average life time (B50) has been reached

In case of lamp breakage: [www.osram.com/brokenlamp](http://www.osram.com/brokenlamp)



Circuit diagram



Circuit diagram

**Logistical Data**

---

<b>Product code</b>	<b>Packaging unit (Pieces/Unit)</b>	<b>Dimensions (height x width x length)</b>	<b>Gross weight</b>	<b>Volume</b>
4008321232847	Unpacked 1	30 mm x 30 mm x 1515 mm	285.00 g	1.36 dm <sup>3</sup>
4008321232854	Shipping carton box 12	202 mm x 71 mm x 1566 mm	4124.00 g	22.46 dm <sup>3</sup>

---

## References / Links

---

For more information on QUICKTRONIC electronic control gear go to

▶ [www.osram.com/QUICKTRONIC](http://www.osram.com/QUICKTRONIC)

## Disclaimer

---

Subject to change without notice. Errors and omission excepted. Always make sure to use the most recent release.